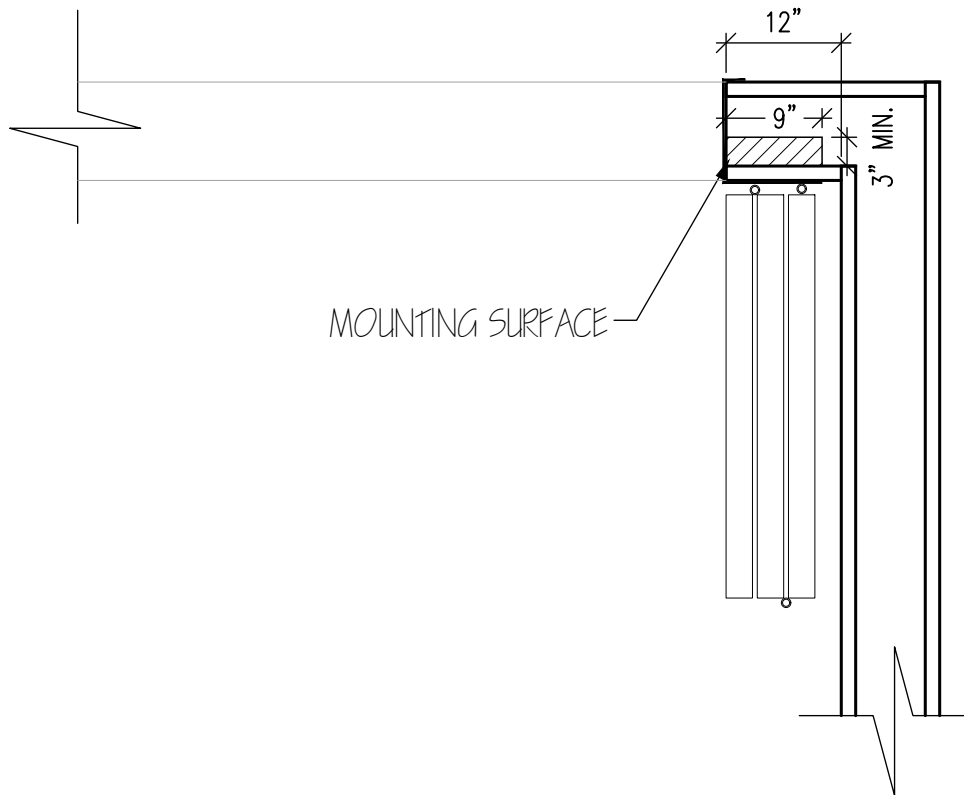


TOP VIEW

CORNER DETAIL FOR 3 PANELS PER SIDE "MANUAL"

3 PANELS
CORNER

MINIMUM SIDE SPACE
REQUIREMENTS



*IF METAL BUILDING, MOUNTING SURFACE SHOULD BE AN
9" STEEL POST OR 5mm (3/16") THICK STEEL PLATE

FINDOOR

TITLE: BACKING REQUIREMENT DETAIL 3 PANELS

SCALE: N.T.S.

DESIGNER: OSCAR F.

DATE: OCT.2019

REFERENCE:

2.1