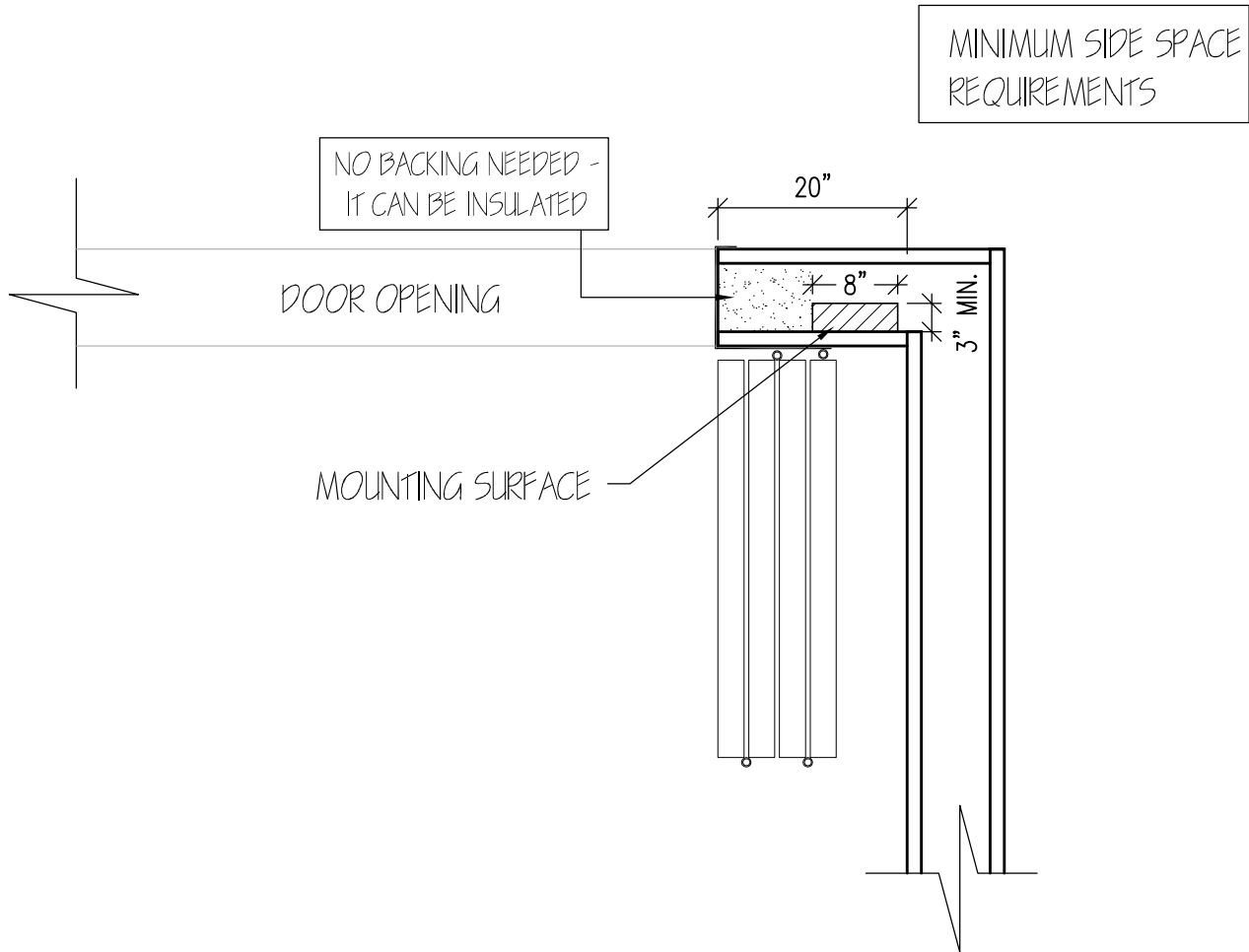


TOP VIEW

CORNER DETAIL FOR 4 PANELS PER SIDE "MANUAL"

4 PANELS
CORNER



*IF METAL BUILDING, MOUNTING SURFACE SHOULD BE AN 8" STEEL POST OR 5mm (3/16") THICK STEEL PLATE

FINDOOR

TITLE: BACKING REQUIREMENT DETAIL 4 PANELS

SCALE: N.T.S.

DESIGNER: OSCAR F.

DATE: OCT.2019

REFERENCE:

3.1