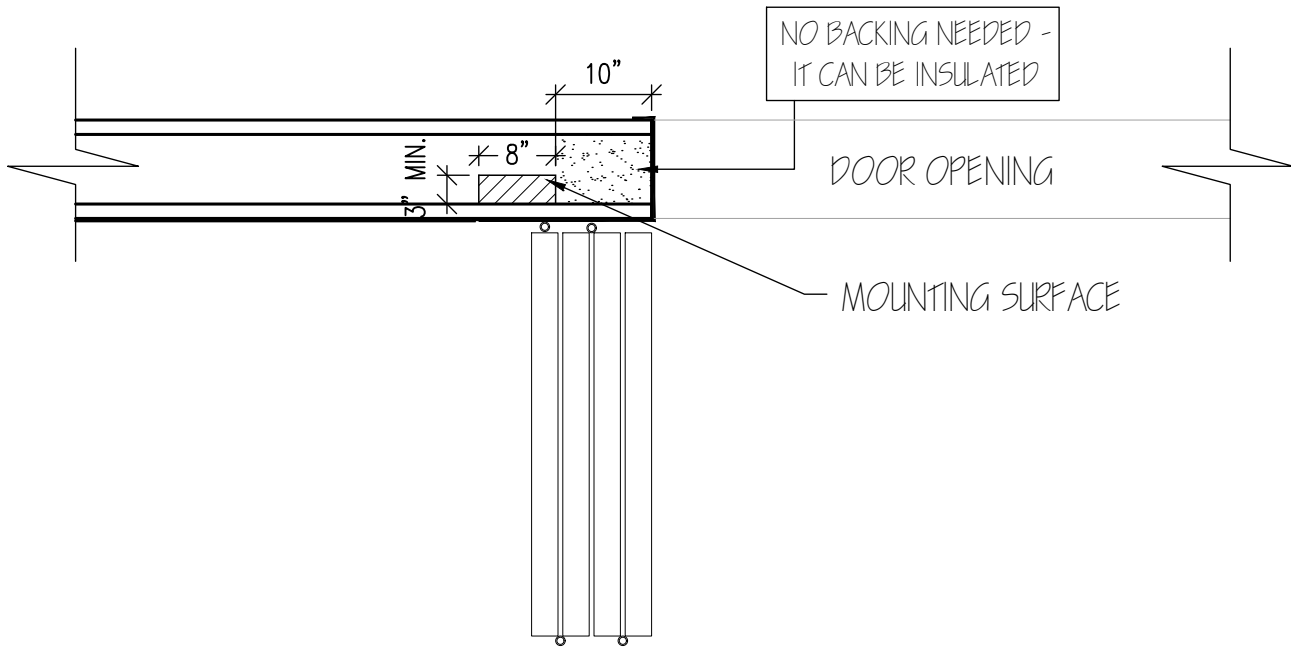


TOP VIEW

DETAIL FOR 4 PANELS PER SIDE "MANUAL"

4 PANELS



*IF METAL BUILDING, MOUNTING SURFACE SHOULD BE AN 8" STEEL POST OR 5mm (3/16") THICK STEEL PLATE



TITLE:	BACKING REQUIREMENT DETAIL 4 PANELS
SCALE:	N.T.S.
DESIGNER:	OSCAR F.
DATE:	OCT.2019

REFERENCE:	3.0
-------------------	-----