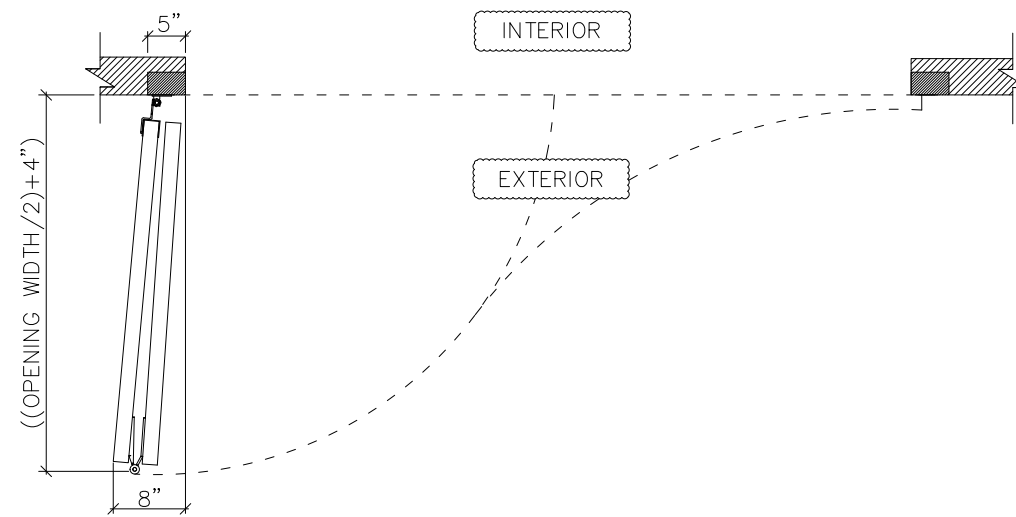
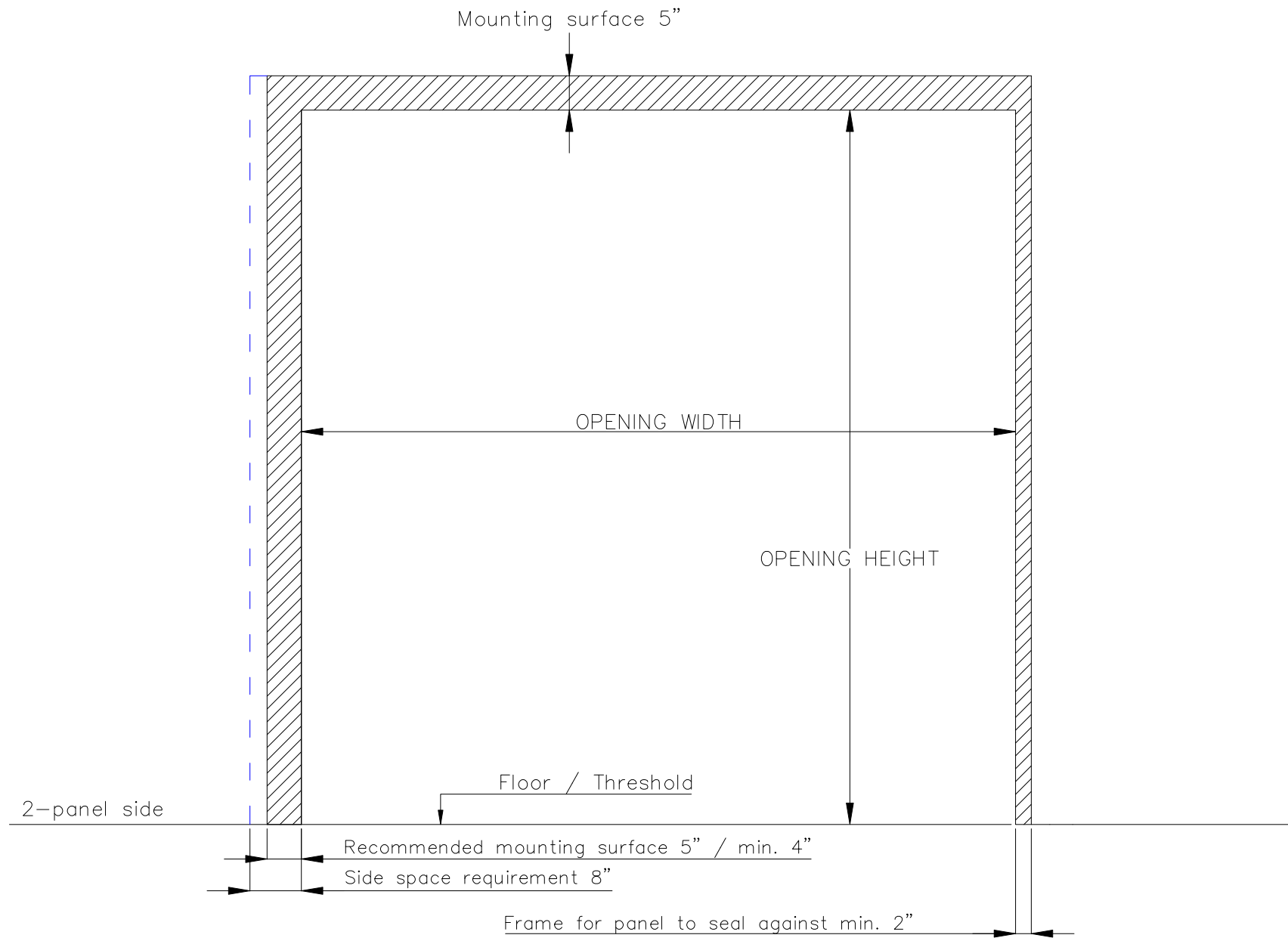


2-PANEL FOLDING DOOR OPENING  
GUIDE TRACK



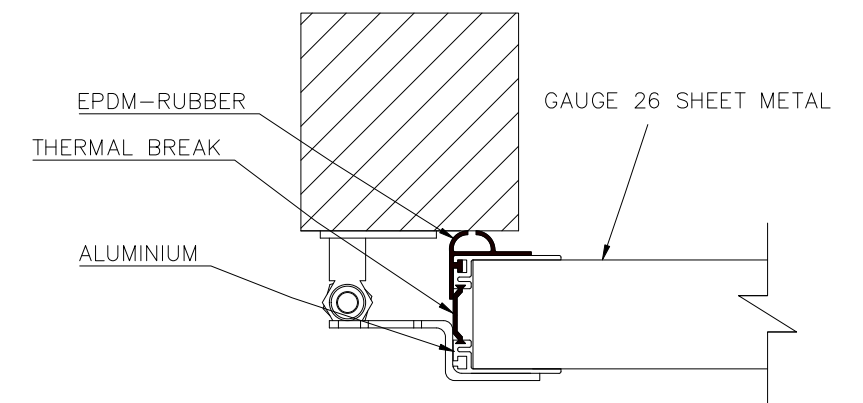
OPENING WIDTH 4' 2 1/2" – 7' 11"

ALL MOUNTING SURFACES NEED TO BE FLUSH WITH EACH OTHER.

OPENING MEASUREMENTS MUST NOT VARY MORE THAN 1/2".

DOOR CAN BE MOUNTED TO:  
STEEL / WOOD / CONCRETE

SEALING AGAINST THE FRAME



FRAMING INSTRUCTION	DATE: 10/2024	2-PANEL
FINDOOR INDUSTRIAL INC	461075 Hwy 771 Westerose, AB, T0C 2V0 info@findoor.ca 1-866-338-8308 www.findoor.ca	

