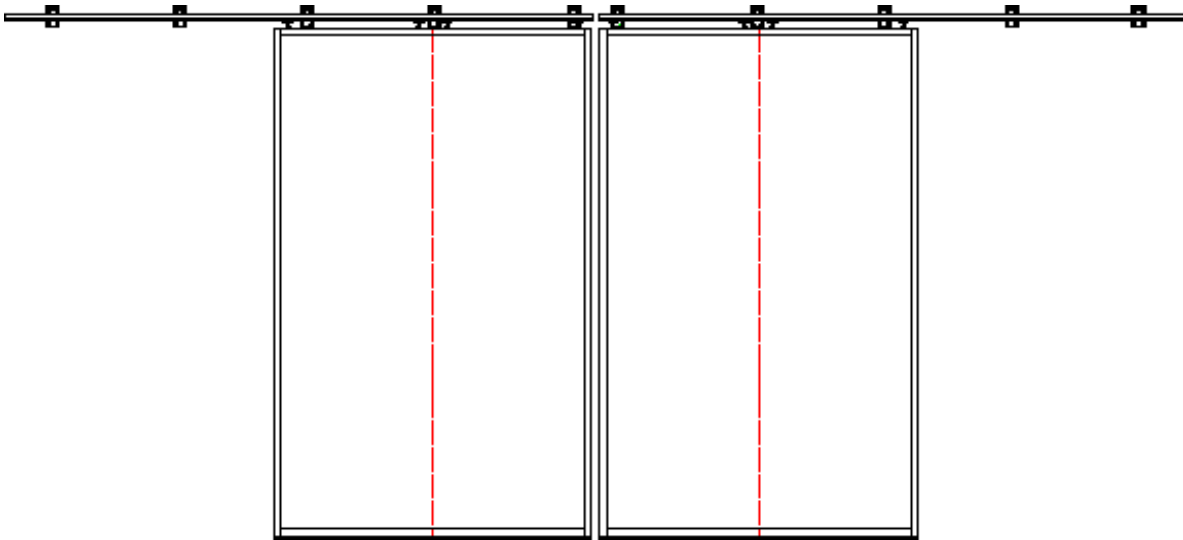




FINDOOR

SLIDING DOOR JAMB

INSTRUCTIONS



Findoor Industrial Inc
Westerose, AB,
T0C 2V0

P. 1-866-338-8308
info@findoor.ca
www.findoor.ca

SLIDING DOOR TYPES

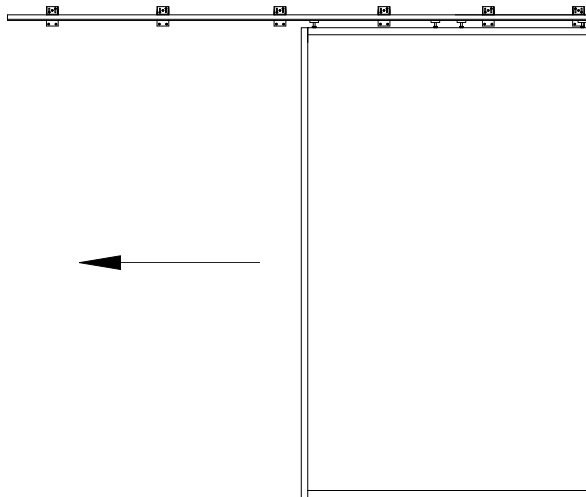
SLIDING DOOR TYPES

There are two types of sliding doors: Sliding Door 1 and Sliding Door 2. The difference between the two lies in their structure and functionality.

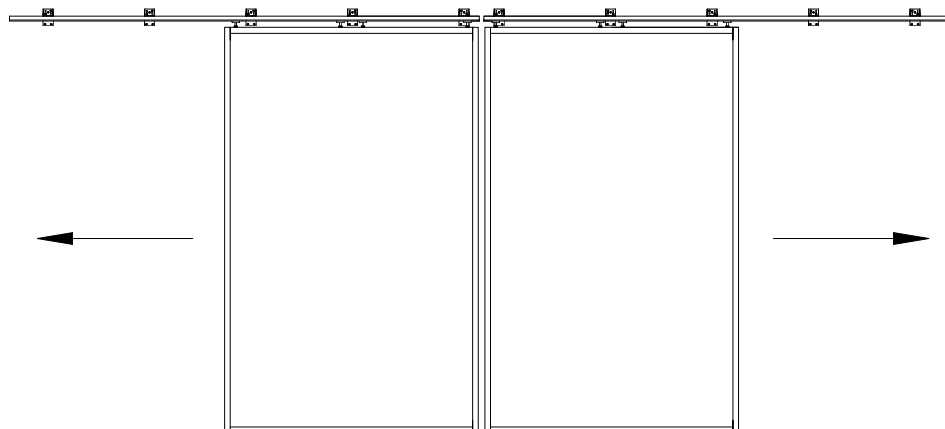
- Sliding Door 1 consists of only one door panel and opens to just one side of the opening.
- Sliding Door 2, on the other hand, consists of two door panels and opens to both sides of the opening.

Below are illustrations of both sliding door types.

SLIDING DOOR 1

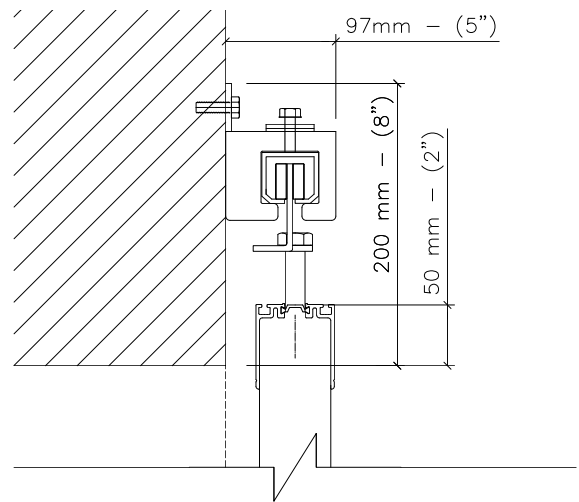


SLIDING DOOR 2



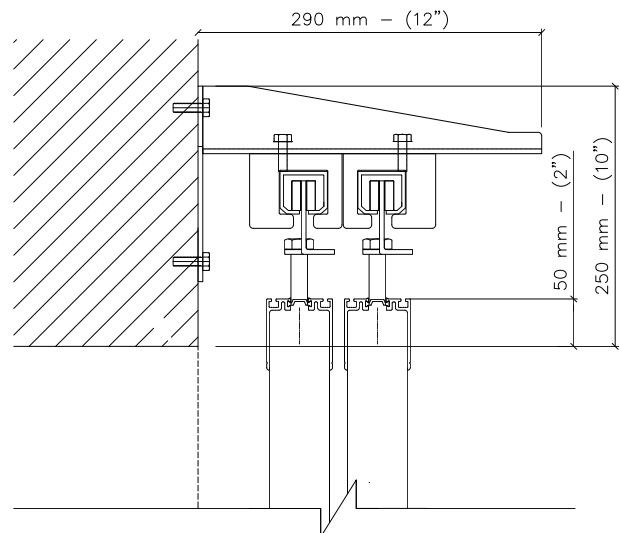
TOP MOUNTING SURFACE FOR A SINGLE SLIDING DOOR

Single sliding doors require 200 mm - (8") of top mounting surface. The required width of the mounting surface can be seen in the drawing on page 4.



PARALLEL TRACK FOR SLIDING DOORS

Parallel sliding doors require 250 mm - (10") of top mounting surface. The required width of the mounting surface can be seen in the drawing on page 4. It is possible to install up to 4 sliding doors side by side.

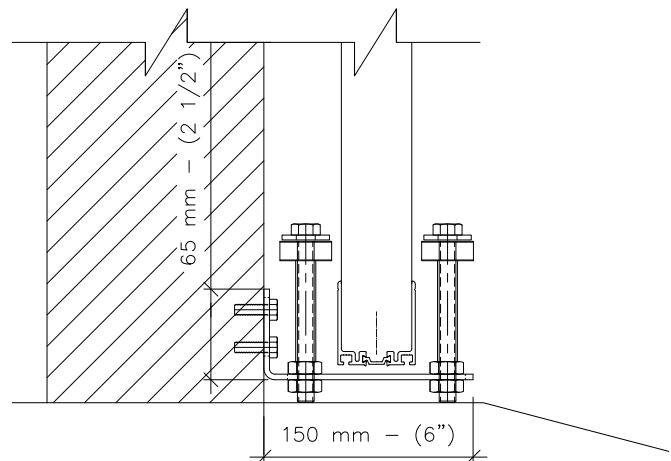


BOTTOM GUIDES

The bottom guides are equipped with stainless steel ball bearings that keep the sliding door aligned as it opens and closes.

The bottom guide is secured to the mounting surface using appropriate screws.

Unlike the drawing, the sliding door can be equipped with a bottom gasket.



MOUNTING SURFACE REQUIREMENTS AND STANDARD OVERLAPS

STANDARD OVERLAPS:

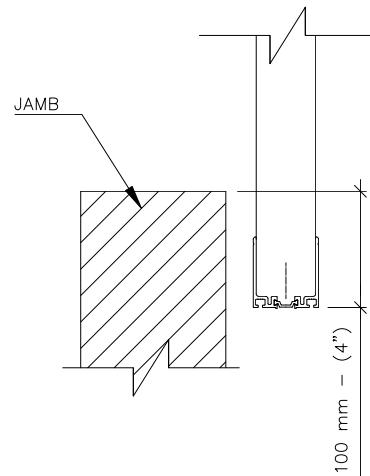
- Standard top overlap: 50 mm - (2")
- Standard side overlap: 100 mm - (4") per side.

The standard overlaps for Findoor sliding doors can be adjusted. If you require different overlaps, please inform the salesperson when ordering the doors.

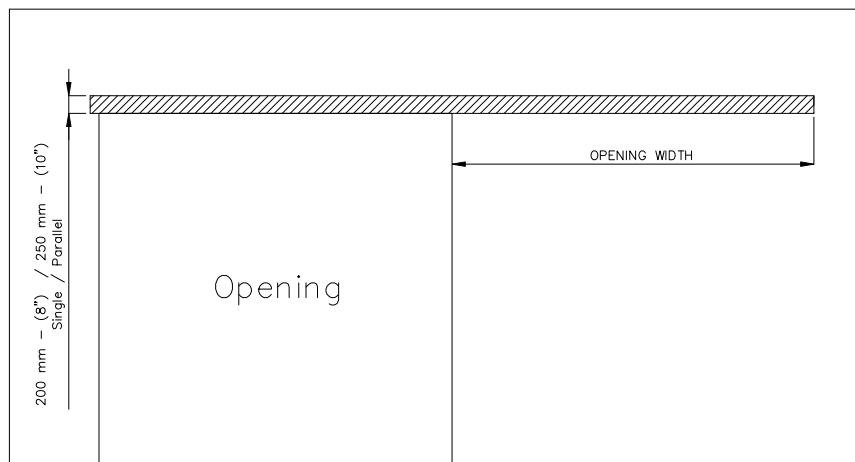
JAMB DRAWING

Below are illustrative drawing of both sliding door models, showing how to create the ideal jamb structure for Findoor sliding doors.

SIDE OVERLAP – HORIZONTAL SECTION



SLIDING DOOR 1



SLIDING DOOR 2

