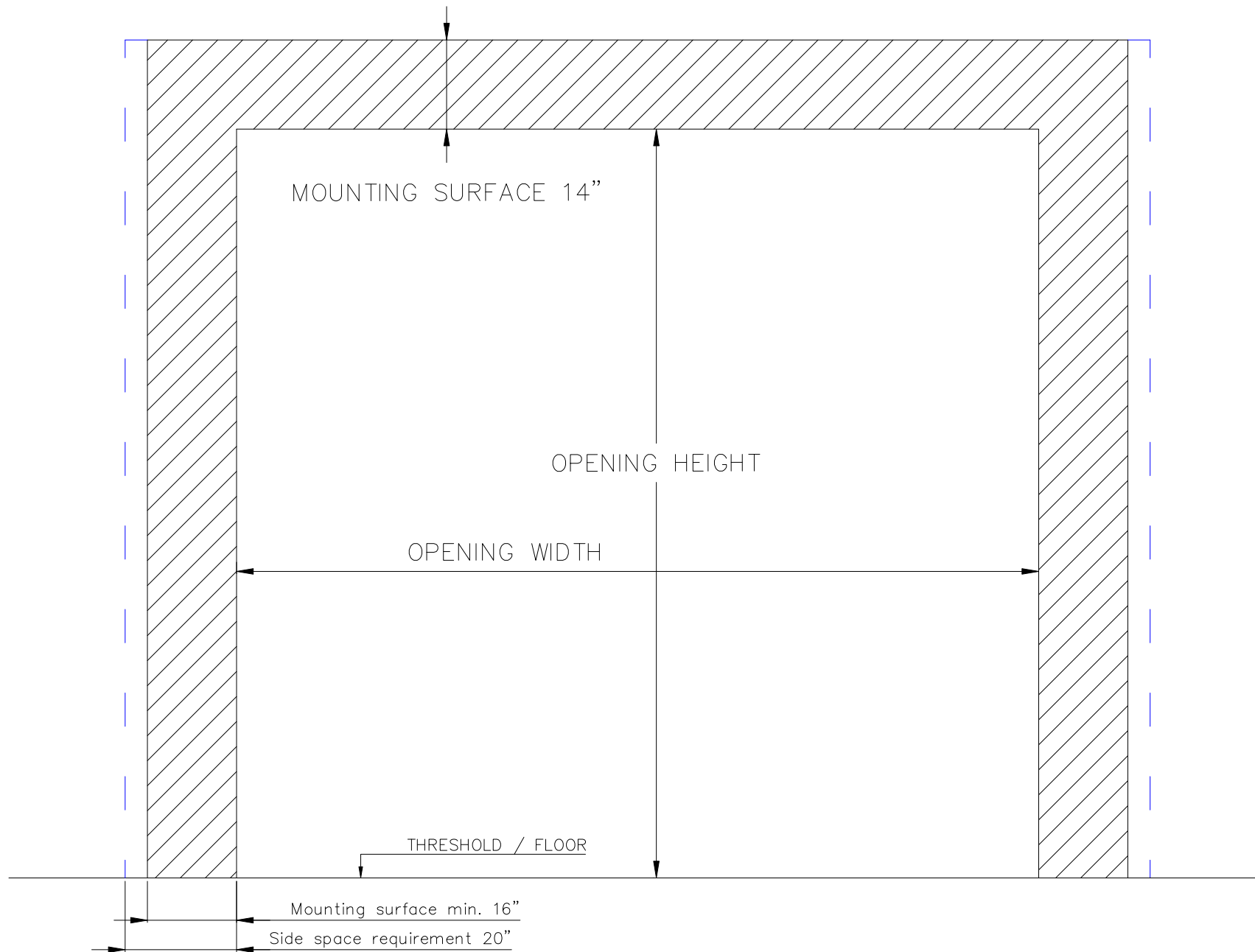


8-PANEL FOLDING DOOR OPENING, HEAVY CARRYING TRACK



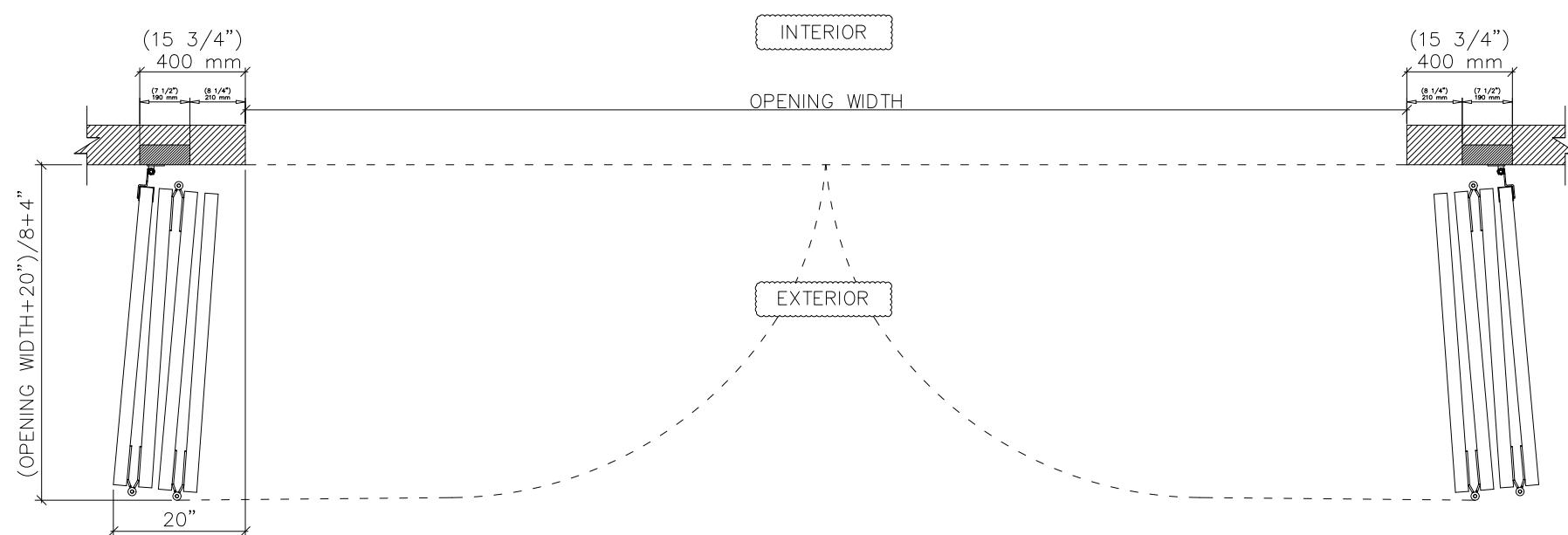
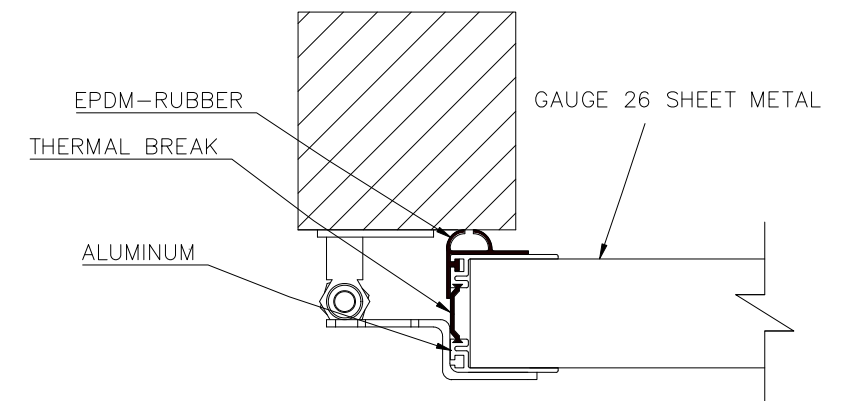
OPENING WIDTH 27' 2" – 50'

ALL MOUNTING SURFACES NEED TO BE FLUSH WITH EACH OTHER.

OPENING MEASUREMENTS MUST NOT VARY MORE THAN 1/2".

DOOR CAN BE MOUNTED TO:
STEEL / WOOD / CONCRETE

SEALING AGAINST THE FRAME



| | | |
|------------------------|---------------|---|
| FRAMING INSTRUCTION | DATE: 10/2024 | 8-PANEL |
| FINDOOR INDUSTRIAL INC | | 461075 Hwy 771 Westerose, AB, T0C 2V0 info@findoor.ca 1-866-338-8308 www.findoor.ca |

